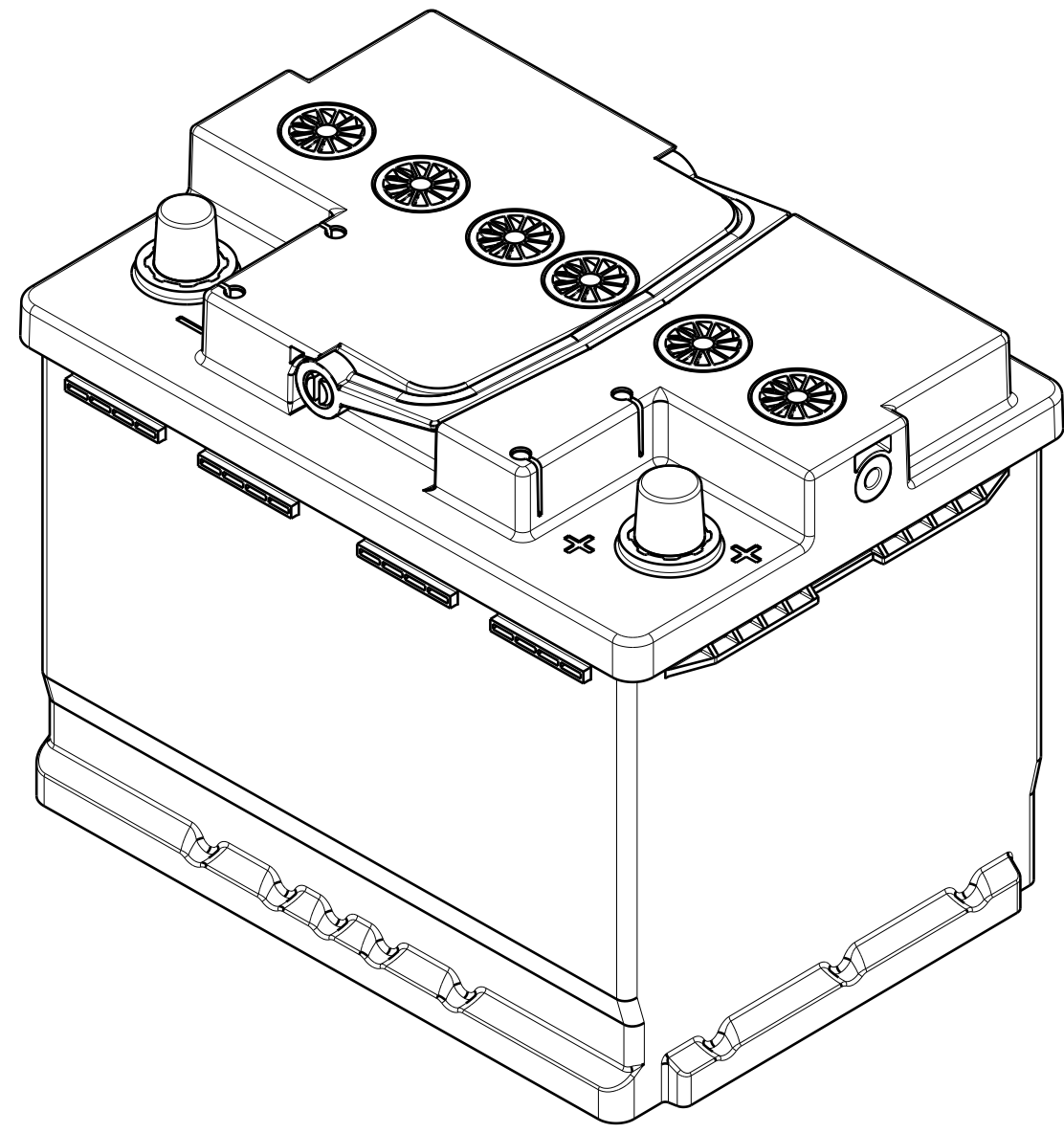
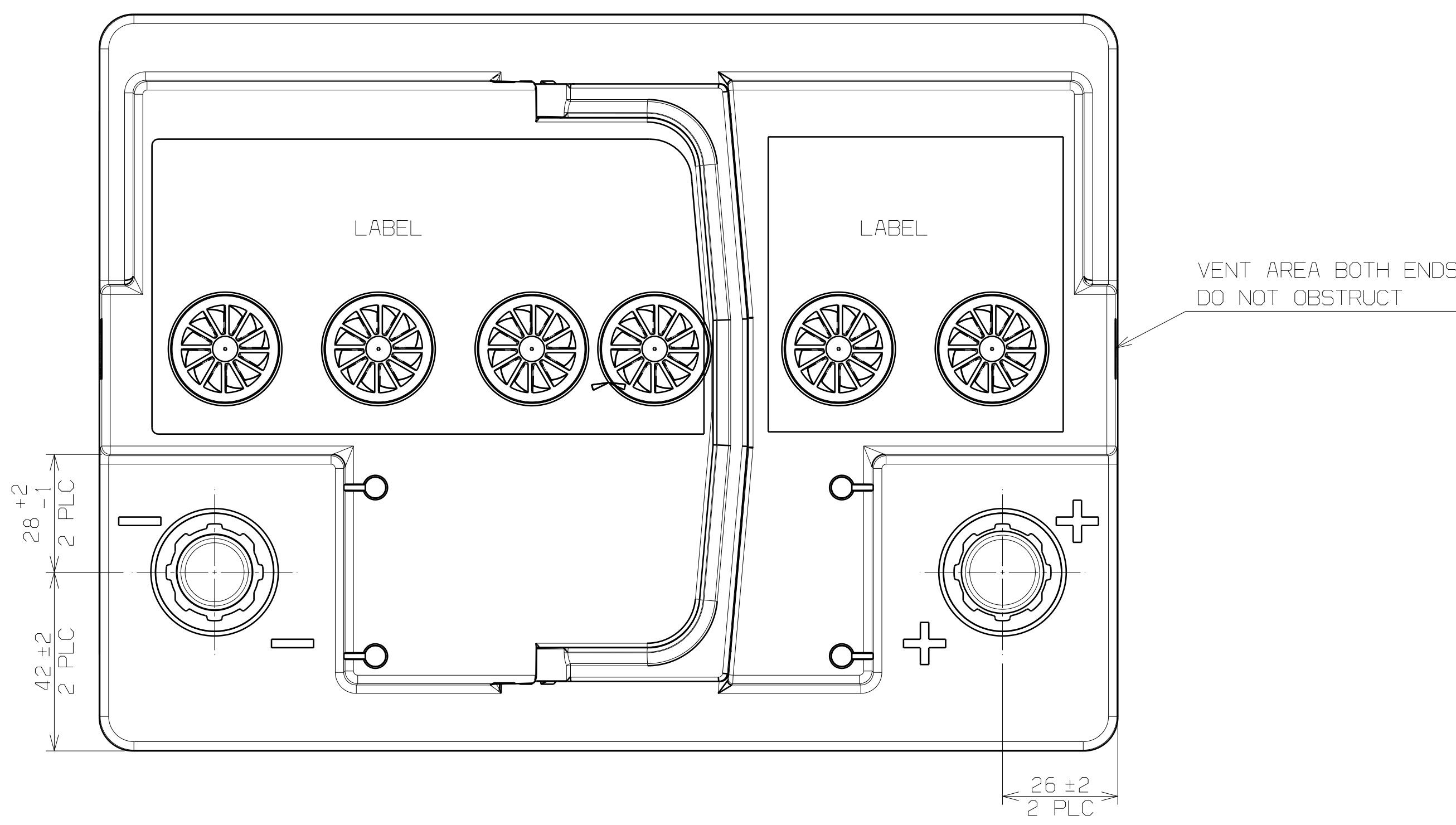


3

2

1

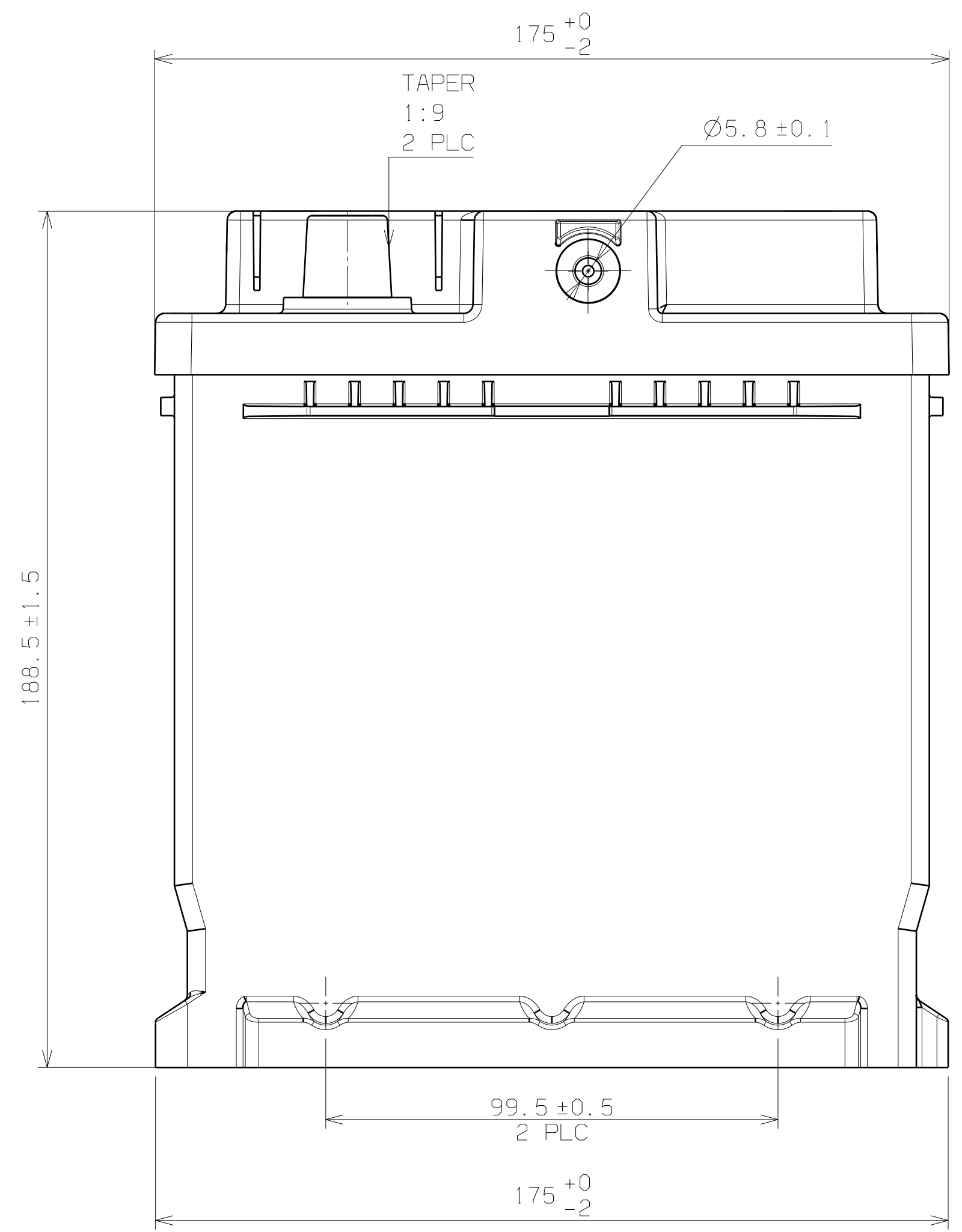
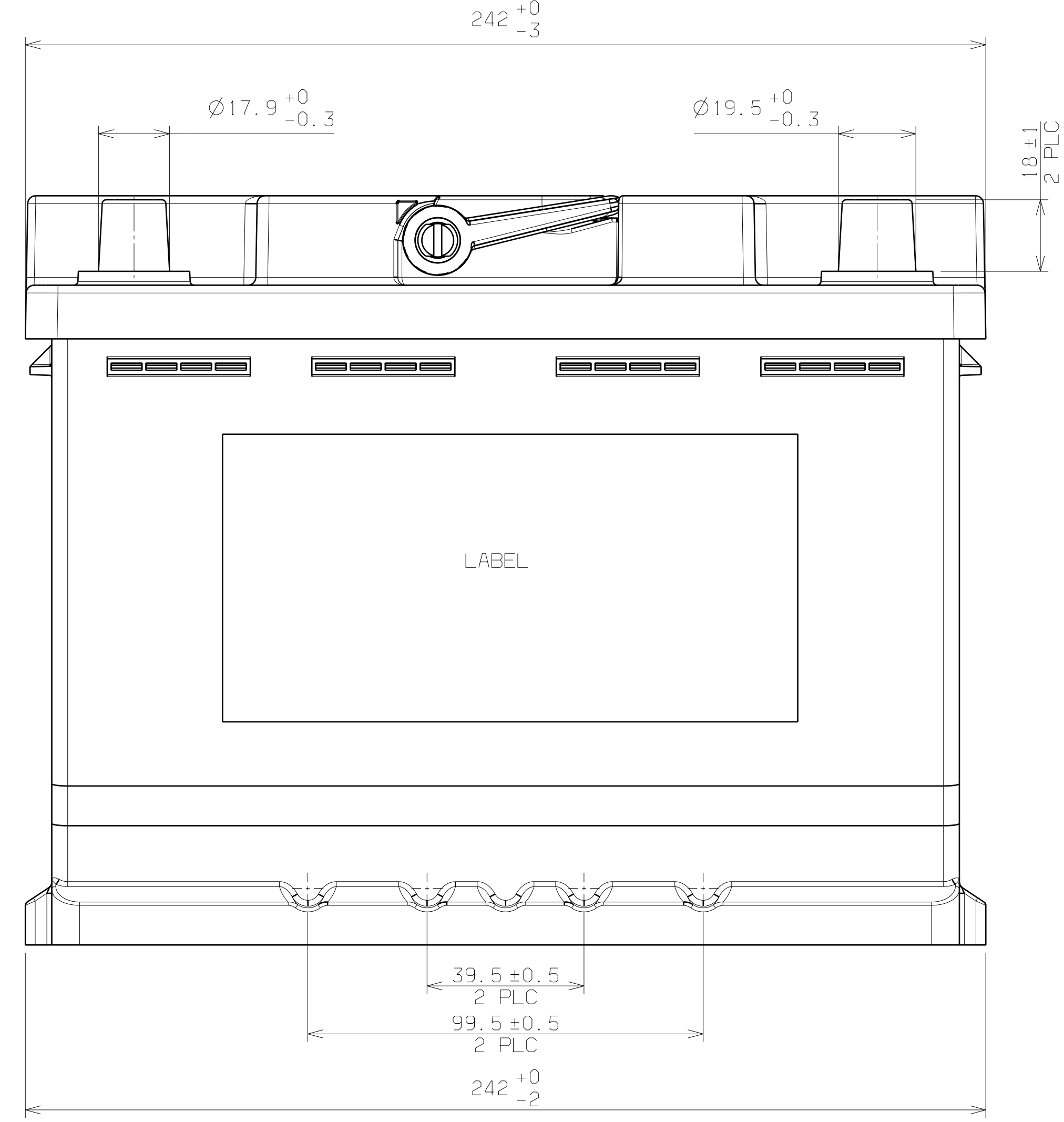
REV	SEE ECO	APVD DATE	DWR	CHK	APVD
AA	5054516	04-07-22	S. X. Y.	Y. HXG	



Isometric view  
Scale: 1:2

APPLICATION DATA

GROUP SIZE: LN1/H5 (AGM)  
 PERFORMANCE RATINGS: 12 VOLTS  
 20 HOUR RATE: AMP HR (REF) 60 Ah  
 COLD CRANKING AMPERES AT -18°C 720 AMPS



WITH TERMINAL PROTECTOR

●	KEY CRITICAL CHARACTERISTIC TO BE CHECKED AT INITIAL/SUBSEQUENT CUSTOMER PART SUBMISSION AND MONITORED PER CONTROL PLAN
◆	SIGNIFICANT LEVEL-1 CHARACTERISTIC TO BE CHECKED AT INITIAL/SUBSEQUENT CUSTOMER PART SUBMISSION AND MONITORED PER CONTROL PLAN
■	SIGNIFICANT LEVEL-2 CHARACTERISTIC TO BE CHECKED AT INITIAL/SUBSEQUENT CUSTOMER PART SUBMISSION (ONE TIME CAPABILITY)

DIMENSIONS AND TOLERANCES ARE FOR FINISHED PART ACCEPTANCE											
RANGE	OVER	0	19.05	38.1	76.2	127	203.2	304.8	457.2	609.6	ANGLES
	TO	19.05	38.1	76.2	127	203.2	304.8	457.2	609.6	762	
UNLESS OTHERWISE SPECIFIED POLYPROPYLENE PART TOLERANCES ARE: ±.13 ±.25 ±.51 ±.89 ±1.40 ±2.16 ±3.18 ±4.19 ±5.33 ±.5"											
DIMENSIONS AND TOLERANCES ARE IN ACCORDANCE WITH ASME Y14.5M-1994											
DO NOT SCALE DRAWING THIRD ANGLE PROJECTION DIMENSIONS ARE IN MILLIMETERS/INCHES											
NOTICE: THIS DRAWING IS FURNISHED FOR REFERENCE ONLY. THE FURNISHING OR POSSESSION OF THIS DRAWING OR ANY REPRODUCTIONS THEREOF, DOES NOT CONVEY ANY MANUFACTURING RIGHTS.											
Clarios CONFIDENTIAL and PROPRIETARY information. Disclosure or use of this document or any information herein is prohibited without the express written consent of Clarios. Unauthorized export is prohibited. © Clarios. All rights reserved.											
MATERIAL										CAD SYSTEM CATIA	REF INFO -----
TITLE BATTERY OUTLINE AGM H5										3D MODEL NO	VERSION 00
ORIGINAL RELEASE AUTHORIZATION		SCALE 1/1		DWR S. X		DATE 04-07-22		SHEET 1 OF 1		30123542	
CHK Y. Y		DATE 04-07-22		ENGR HXG		DATE 04-07-22		SIZE D		REV AA	
CLARIOS										30198247	

*yang yang*

3

2

1